

SZW

河南三智装备科技有限公司

电话: 0373-8698966
地址: 河南 (长垣) 起重工业园区纬二路1号
官网: <http://www.szwzbkj.com>

Tel: 0373-8698966
Address: Henan (Changyuan) Lifting Industrial Park Weier Road No. 1
Official website: <http://www.szwzbkj.com>



微信公众号
WeChat official account



三智官方网站
Official website

SZW



产品样本
PRODUCT SAMPLES

卷扬机、电动葫芦

WINCH、ELECTRIC HOIST

产品分类
CLASSIFICATION

卷扬机、电动葫芦
WINCH、ELECTRIC HOIST

河南三智简介 INTRODUCTION

河南三智装备科技有限公司，位于河南（长垣）起重工业园区，是一家专业生产起重机配套零部件及加工的公司。在传动领域享有很高的声誉，已与国内多家起重行业公司达成技术合作。以科技创新产品，以服务创造未来，并以品质为根本质量为基要。为客户定制产品，提供更卓越的效能和更精准的服务，为起重机配套零部件，开拓更先进的供应链服务和市场模式。凭借厚实专业底蕴，独具匠心研发能力，科学完备管理体制，与科技完善售后体系，向新老客户提供值得信赖的制造技术支持。助力节约开支，精建优质品牌。提供全方位传统领域定制解决方案，真正实现节能降本，为促进环保企业转型贡献力量，始终以品质为主做根本，生产为首做导向。河南三智装备科技有限公司始终秉承“坚持专业，支持创新，保持共赢”的理念，坚守“质量第一，用户至上，优质服务”的宗旨。以高质量产品，优质的服务，良好的信誉为您提供更为契合的方案。竭诚与国内外商家双赢合作，共同发展，共创辉煌！

INTRODUCTION

Henan Sanzhi Equipment Technology Co., Ltd. is located in the Henan (Changyuan) Crane Industry Park. It is a professional company that produces crane supporting components and processing. We have a high reputation in the field of transmission and have established technical cooperation with multiple domestic lifting industry companies. Innovate products through technology, create the future through services, and prioritize quality as the fundamental quality. Customizing products for customers, providing superior efficiency and more precise services, supporting components for cranes, and exploring more advanced supply chain services and market models. With a solid professional foundation, unique research and development capabilities, a scientific and complete management system, and a perfect after-sales system with technology, we provide reliable manufacturing technology support to new and old customers. Help save expenses and build high-quality brands. We provide comprehensive customized solutions for traditional fields, truly achieving energy conservation and cost reduction, and contributing to the transformation of environmental protection enterprises. We always prioritize quality as the foundation and production as the leading direction. Henan Sanzhi Equipment Technology Co., Ltd. always adheres to the concept of "adhering to professionalism, supporting innovation, and maintaining win-win", and adheres to the purpose of "quality first, customer first, and high-quality service". We provide you with more suitable solutions with high-quality products, excellent service, and good reputation. Dedicated to win-win cooperation with domestic and foreign merchants, common development, and creating brilliance together!

SZW 河南三智装备科技有限公司
HENAN SANZHI EQUIPMENT TECHNOLOGY CO., LTD.



创新革新起重·技术改变行业

INNOVATION, INNOVATION, LIFTING, AND TECHNOLOGY CHANGING INDUSTRIES

SZW

SZW

卷扬机、电动葫芦

WINCH
ELECTRIC HOIST

产品优势

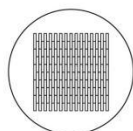
PRODUCT ADVANTAGES



模块化设计
MODULAR DESIGN



结构紧凑
COMPACT



免维护智能环保
MAINTENANCE-FREE, INTELLIGENT, AND
ENVIRONMENTALLY FRIENDLY



坚固耐用
STURDY AND DURABLE



安全设计
SAFETY DESIGN

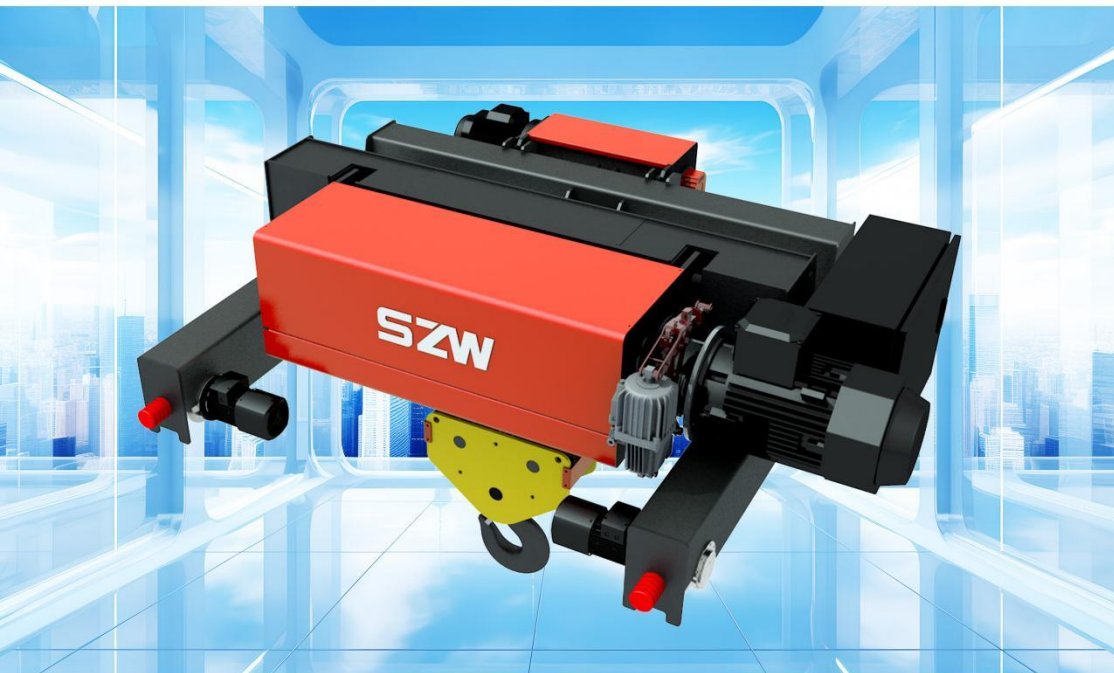


01

结构紧凑

COMPACT

结构紧凑
COMPACT



卷扬机、电动葫芦

WINCH、ELECTRIC HOIST

根据力学结构设计，反复实验，修改细节。使其结构更紧凑，受力更合理，节省原材料，有效的实现起升高度的增加，更坚固、更安全。

Based on the mechanical structure design, conduct repeated experiments and modify details. Make its structure more compact and stressed Reasonable, saving raw materials, effectively increasing the lifting height, making it more sturdy and safe.

相对传统的老型葫芦，欧式新型悬挂葫芦结构紧凑，体积更小、耐用强度更高。欧式新型悬挂葫芦选用了四对共八个抓手轨道轮，更坚固，运行起来更稳定，有效的减少对轨道的磨损，使用寿命延长，内置免维护的行星减速机，整体成一字型结构设计，更美观，力学结构更稳定，有效的节省厂房空间。

Compared to traditional old type gourds, the European style new hanging gourd has a compact structure, smaller volume, and higher durability and strength. The new European style suspension hoist adopts four pairs of eight gripper track wheels, which are more sturdy and stable to operate, effectively reducing wear on the track and extending its service life. It is equipped with a maintenance free planetary reducer and designed in a straight line structure, which is more beautiful and has a more stable mechanical structure, effectively saving factory space.



SZW

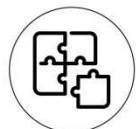
卷扬机、电动葫芦

WINCH
ELECTRIC HOIST

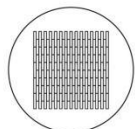
产品选型
PRODUCT SELECTION



模块化设计
MODULAR DESIGN



结构紧凑
COMPACT



免维护智能环保
MAINTENANCE-FREE, INTELLIGENT, AND ENVIRONMENTALLY FRIENDLY

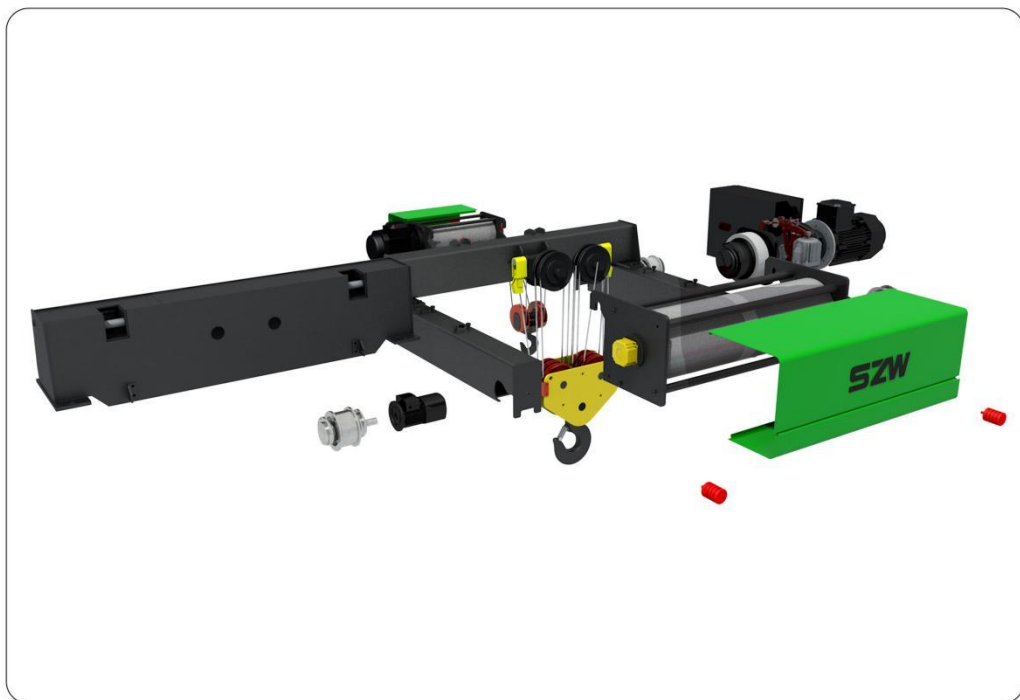


坚固耐用
STURDY AND DURABLE



安全设计
SAFETY DESIGN





卷扬机、电动葫芦

WINCH、ELECTRIC HOIST

欧式新型电动葫芦及卷扬机是根据FEM、ISO、DIN等标准和其他规定，采用先进设计技术而开发的物料搬运设备。

The European style steel wire rope electric hoist trolley is based on standards such as FEM, ISO, DIN, and other regulations, Material handling equipment developed using advanced design technology.

新系列的钢丝绳电动葫芦小车环保、节能、经济，起升机构采用FEM标准设计，具有自主知识产权。滚筒与起重电机同轴设计，嵌入式行星减速机结构紧凑合理。特殊的结构设计增加了提升高度，充分利用了垂直空间，从而降低了工厂的高度。滚筒内的行星齿轮箱，免维护。两侧同步驱动轮，运转均匀平稳，减少了车轮的磨损和损坏。

The new series of wire rope electric hoists are environmentally friendly, energy-saving, and economical. The lifting mechanism adopts FEM standard design and has independent intellectual property rights. The drum and lifting motor are designed coaxially, and the embedded planetary reducer has a compact and reasonable structure. The special structural design increases the lifting height and fully utilizes the vertical space, thereby reducing the height of the factory. The planetary gearbox inside the drum is maintenance free. The synchronous drive wheels on both sides operate evenly and smoothly, reducing wear and damage to the wheels.

02

模块化设计

MODULAR DESIGN

起升机构

起升卷筒组模块



电气智能控制系统

电气控制模块



起升驱动机构

起升电机模块



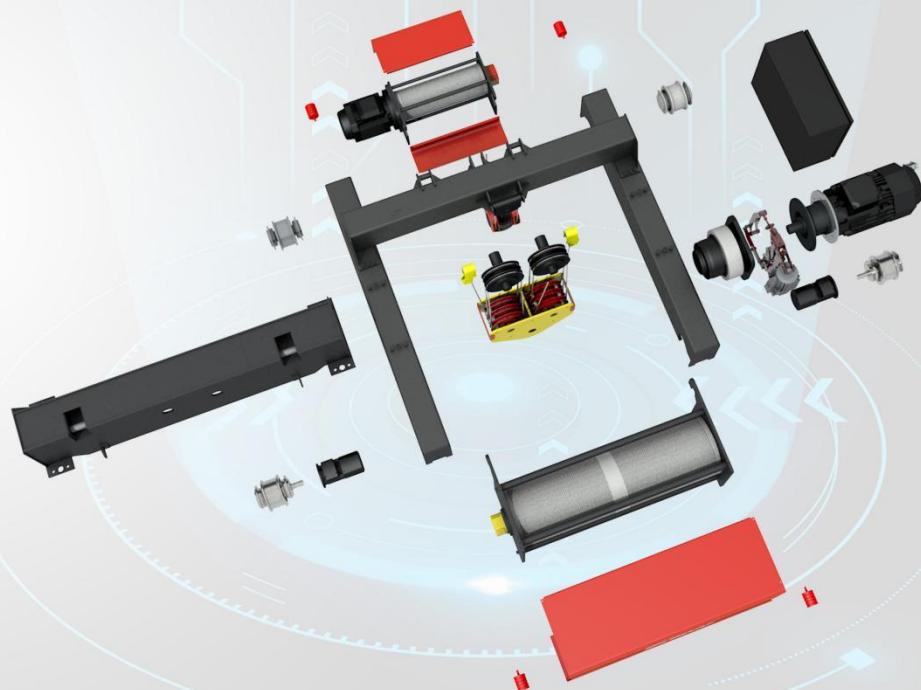
运行机构

车轮组驱动模块



模块化通用性强

STRONG MODULARITY AND VERSATILITY



新系列的钢丝绳电动葫芦小车采用模块化设计，可以充分满足您的应用需求，可根据特殊的环境和客户需求提供个性化定制的方案。

The new series of wire rope electric hoist cars adopts a modular design, which can fully meet your application needs and provide personalized customization solutions according to special environments and customer needs.



运行机构——车轮组

OPERATING MECHANISM - WHEEL SET



03

免维护节能环保

MAINTENANCE-FREE

一体化设计

电机、制动器、行星减速器，卷筒呈一字型一体化设计



结构紧凑
COMPACT

重量减轻
WEIGHT REDUCTION

免维护
行星减速器
MAINTENANCE FREE
PLANETARY REDUCER

降低噪音
COMPACT

模块化通用性强
STRONG MODULARITY AND VERSATILITY



制动器
ROPE GUIDE



五合一车轮组
FIVE IN ONE WHEEL SET



导绳器
ROPE GUIDE

电机功率降低，变频技术使工作效率提高，内嵌式行星减速器免维护，提高工作效率整机运行平稳，噪音降低。

The motor power is reduced, and frequency conversion technology improves work efficiency. The embedded planetary reducer is maintenance free, improving work efficiency. The whole machine runs smoothly and reduces noise.

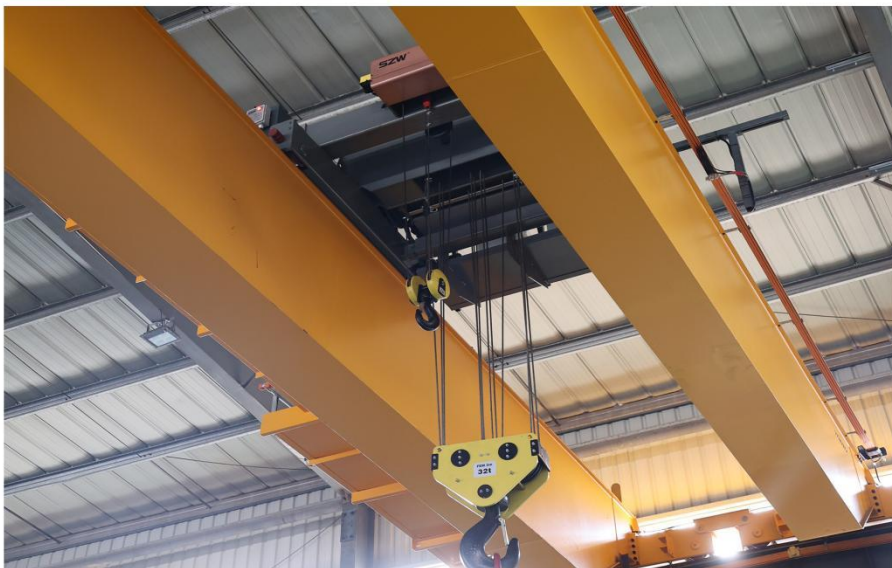
运行机构采用的是五合一车轮组，车轮，电机，减速器，制动器，限位器一体化，结构更紧凑。高强度的尼龙导绳器，由传统的整圈设计到半圈设计，力学结构更合理，节省原材料和空间，更耐用。

The operating mechanism adopts a five in one wheel set, with wheels, motors, reducers, brakes, and limiters integrated, resulting in a more compact structure. The high-strength nylon rope guide is designed from a traditional full loop to a half loop, with a more reasonable mechanical structure, saving raw materials and space, and being more durable.

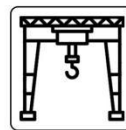
04

坚固耐用、安全设计

DURABLE AND SECURE

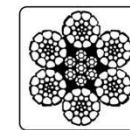


结构紧凑 COMPACT



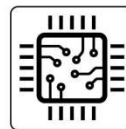
整机通过国家标准寿命实验

The entire machine has passed the national standard life test



钢丝绳破断拉力不低于2160级

The breaking force of steel wire rope shall not be less than 2160 level



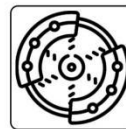
电器元件机械寿命不低于50万次

The mechanical life of electrical components shall not be less than 500000 times



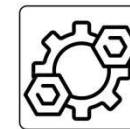
吊钩采用高强T级钩头

The hook adopts a high-strength T-grade hook head



制动器安全制动不低于100万次

Brake safety braking no less than 1 million times

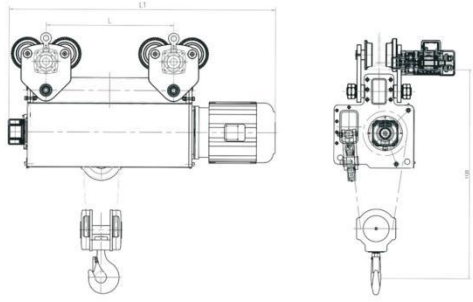


减速机合金钢齿轮终身免维护

Lifetime maintenance free alloy steel gears for reducers

SALES MANUAL FOR HOIST

Single Girder Hoist (Reeving 2:4) 单梁双下绳葫芦



HOL(m)	L(mm)	L1(mm)	Weight(Kg)
9	548	1173	275
12	698	1323	325
15	848	1473	400
18	1048	1673	500

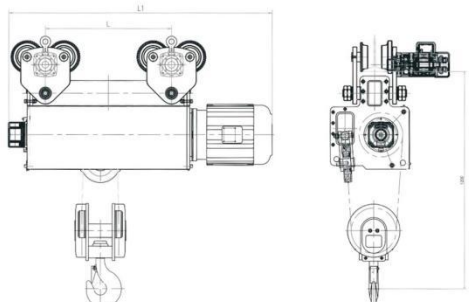
More details about lifting height, lifting speed and travelling speed, pls contact us.
另有更多起升高度, 起升及运行速度等, 详情请咨询公司

SWL (kg)	Work group FEM/ISO	Hoisting 起升速度可选项或规格				Travelling (v/min)	
		Speed (m/min)	Motor (0kw)	Speed (m/min)	Motor (0kw)	Speed (m/min)	Motor (0kw)
1600	3m/M6	6	3	20	0.4		
2800	2m/M5	6	3				
3200	1Bm/M3	6	3				

Tel: Fax: Email: Web: Page

SALES MANUAL FOR HOIST

Single Girder Hoist (Reeving 2:4) 单梁双下绳葫芦



HOL(m)	L(mm)	L1(mm)	Weight(Kg)
9	904	1669	758
12	1104	1869	800
15	1304	2069	850
18	1504	2269	1050

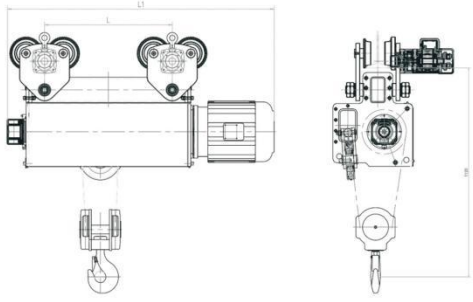
More details about lifting height, lifting speed and travelling speed, pls contact us.
另有更多起升高度, 起升及运行速度等, 详情请咨询公司

SWL (kg)	Work group FEM/ISO	Hoisting 起升速度可选项或规格				Travelling (v/min)	
		Speed (m/min)	Motor (0kw)	Speed (m/min)	Motor (0kw)	Speed (m/min)	Motor (0kw)
6300	3m/M6	7	13	5	9.2	20	0.4
8000	2m/M5	7	13	5	9.2		
10000	1Bm/M3	7	13	5	9.2		

Tel: Fax: Email: Web: Page

SALES MANUAL FOR HOIST

Single Girder Hoist (Reeving 2:4) 单梁双下绳葫芦



HOL(m)	L(mm)	L1(mm)	Weight(Kg)
9	700	1325	325
12	850	1475	375
15	1000	1625	450
18	1200	1825	550

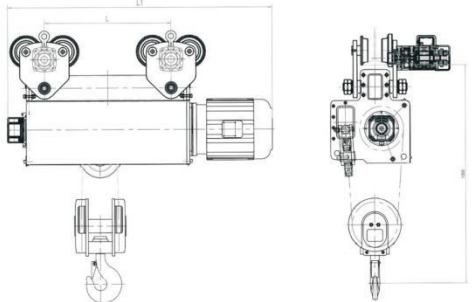
More details about lifting height, lifting speed and travelling speed, pls contact us.
另有更多起升高度, 起升及运行速度等, 详情请咨询公司

SWL (kg)	Work group FEM/ISO	Hoisting 起升速度可选项或规格				Travelling (v/min)	
		Speed (m/min)	Motor (0kw)	Speed (m/min)	Motor (0kw)	Speed (m/min)	Motor (0kw)
3200	3m/M6	8	7.5	6	5.5	20	0.4
5000	2m/M5	8	7.5	6	5.5		
6300	1Bm/M3	8	7.5	6	5.5		

Tel: Fax: Email: Web: Page

SALES MANUAL FOR HOIST

Single Girder Hoist (Reeving 2:4) 单梁双下绳葫芦



HOL(m)	L(mm)	L1(mm)	Weight(Kg)
9	1030	1818	850
12	1230	2018	900
15	1480	2268	950
18	1680	2468	1000

More details about lifting height, lifting speed and travelling speed, pls contact us.
另有更多起升高度, 起升及运行速度等, 详情请咨询公司

SWL (kg)	Work group FEM/ISO	Hoisting 起升速度可选项或规格				Travelling (v/min)	
		Speed (m/min)	Motor (0kw)	Speed (m/min)	Motor (0kw)	Speed (m/min)	Motor (0kw)
12500	2m/M5	4	13	20	0.8*2		
16000	1Am/M4	4	13				

Tel: Fax: Email: Web: Page

SALES MANUAL FOR HOIST
Single Girder Hoist (Reeving 2:4) 单梁双下绳葫芦

HOL(m)	L(mm)	L1(mm)	Weight(Kg)
9	1030	1818	1070
12	1230	2038	1120
15	1480	2268	1170
18	1680	2468	1250

More details about lifting height, lifting speed and travelling speed, pls contact us.
另有更多起升高度, 起升及运行速度等, 详情请咨询公司

SWL (kg)	Work group FEM/ISO	Hoisting				Travelling (m/min)	
		Speed (m/min)	Motor (Kw)	Speed (m/min)	Motor (Kw)	Speed (m/min)	Motor (Kw)
20000	1A/M4	3.6	13			20	0.8*2

Tel: Fax: Email: Web: Page

SALES MANUAL FOR HOIST
Single Girder Hoist (Reeving 1:4) 单梁葫芦

HOL(m)	L2(mm)	L(mm)	Weight(Kg)
6	60	950	372
9	98	1050	394
12	128	1200	420
15	160	1350	450
18	198	1550	482

More details about lifting height, lifting speed and travelling speed, pls contact us.
另有更多起升高度, 起升及运行速度等, 详情请咨询公司

SWL (kg)	Work group FEM/ISO	Hoisting						Travelling (m/min)	
		Speed (m/min)	Motor (Kw)	Speed (m/min)	Motor (Kw)	Speed (m/min)	Motor (Kw)	Speed (m/min)	Motor (Kw)
5000	2m/M5	5	4.5	6	5.5	8	7.5	20	0.4
4000	3m/M6	5	4.5	6	4.5	8	5.5		
3200	3m/M6	5	3	6	4.5	8	5.5		

Tel: Fax: Email: Web: Page

SALES MANUAL FOR HOIST
Single Girder Hoist (Reeving 1:4) 单梁葫芦

HOL(m)	L2(mm)	L(mm)	Weight(Kg)
6	60	950	364
9	98	950	364
12	128	1050	372
15	160	1200	405
18	198	1350	430

More details about lifting height, lifting speed and travelling speed, pls contact us.
另有更多起升高度, 起升及运行速度等, 详情请咨询公司

SWL (kg)	Work group FEM/ISO	Hoisting						Travelling (m/min)	
		Speed (m/min)	Motor (Kw)	Speed (m/min)	Motor (Kw)	Speed (m/min)	Motor (Kw)	Speed (m/min)	Motor (Kw)
3200	2m/M5	5	3	6	4.5	8	5.5	20	0.4
2500	3m/M6	5	3	6	3	8	4.5		
2000	3m/M6	5	2.2	6	2.2	8	3		

Tel: Fax: Email: Web: Page

SALES MANUAL FOR HOIST
Single Girder Hoist (Reeving 1:4) 单梁葫芦

HOL(m)	L2(mm)	L(mm)	Weight(Kg)
6	89	1010	639
9	133	1160	675
12	178	1360	720
15	222	1510	765

More details about lifting height, lifting speed and travelling speed, pls contact us.
另有更多起升高度, 起升及运行速度等, 详情请咨询公司

SWL (kg)	Work group FEM/ISO	Hoisting						Travelling (m/min)	
		Speed (m/min)	Motor (Kw)	Speed (m/min)	Motor (Kw)	Speed (m/min)	Motor (Kw)	Speed (m/min)	Motor (Kw)
10000	2m/M5	3.4	7.5	5	11	7	13	20	2x0.4
8000	3m/M6	3.4	5.5	5	7.5	7	11		

Tel: Fax: Email: Web: Page

SALES MANUAL FOR HOIST
Single Girder Hoist (Reeving 1:4) 单梁葫芦

HOL(m)	L2(mm)	L(mm)	Weight(Kg)
6	72	1780	973
9	108	1980	1039
12	145	2340	1116
15	180	2560	1192
18	216	2780	1240

More details about lifting height, lifting speed and travelling speed, pls contact us.
另有更多起升高度, 起升及运行速度等, 详情请咨询公司

SWL (kg)	Work group FEM/ISO	Hoisting				Travelling (m/min)	
		Speed (m/min)	Motor (Kw)	Speed (m/min)	Motor (Kw)	Speed (m/min)	Motor (Kw)
20000	2m/M5	3.6	13	5	18.5	20	2×0.8
16000	2m/M5	3.6	11	5	15		

Tel: Fax: Email: Web: Page

SALES MANUAL FOR HOIST
Single Girder Hoist (Reeving 2:4) 单梁葫芦

HOL(m)	L(mm)	Weight(Kg)
6	944	339.5
9	944	339.5
12	1050	376
15	1200	431
18	1350	463

More details about lifting height, lifting speed and travelling speed, pls contact us.
另有更多起升高度, 起升及运行速度等, 详情请咨询公司

SWL (kg)	Work group FEM/ISO	Hoisting				Travelling (m/min)	
		Speed (m/min)	Motor (Kw)	Speed (m/min)	Motor (Kw)	Speed (m/min)	Motor (Kw)
3200	2m/M5	3	2.2	6	4.5	20	0.4
2500	3m/M6	3	2.2	6	3		
2000	3m/M6	3	2.2	6	2.2		

Tel: Fax: Email: Web: Page

SALES MANUAL FOR HOIST
Single Girder Hoist (Reeving 2:4) 单梁葫芦

HOL(m)	L(mm)	Weight(Kg)
6	944	339.5
9	1050	339.5
12	1200	376
15	1350	431
18	1550	463

More details about lifting height, lifting speed and travelling speed, pls contact us.
另有更多起升高度, 起升及运行速度等, 详情请咨询公司

SWL (kg)	Work group FEM/ISO	Hoisting				Travelling (m/min)	
		Speed (m/min)	Motor (Kw)	Speed (m/min)	Motor (Kw)	Speed (m/min)	Motor (Kw)
5000	2m/M5	3	3	6	5.5	20	0.4
4000	3m/M6	3	2.2	6	4.5		
3200	3m/M6	3	2.2	6	4.5		

Tel: Fax: Email: Web: Page

SALES MANUAL FOR HOIST
Single Girder Hoist (Reeving 2:4) 单梁葫芦

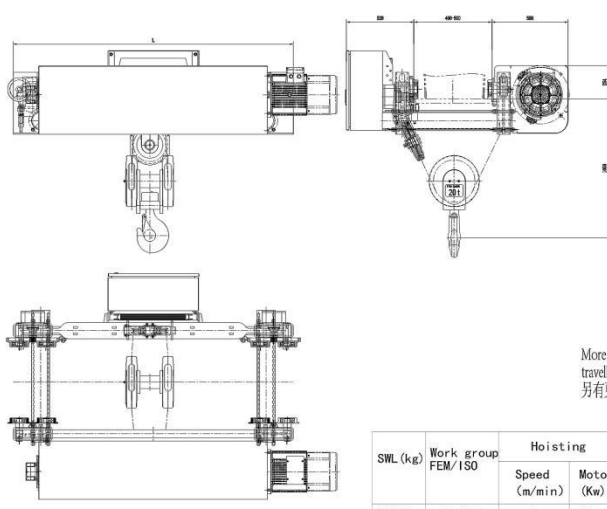
HOL(m)	L(mm)	Weight(Kg)
6	1350	680
9	1550	741
12	1750	772
15	1950	835

More details about lifting height, lifting speed and travelling speed, pls contact us.
另有更多起升高度, 起升及运行速度等, 详情请咨询公司

SWL (kg)	Work group FEM/ISO	Hoisting				Travelling (m/min)	
		Speed (m/min)	Motor (Kw)	Speed (m/min)	Motor (Kw)	Speed (m/min)	Motor (Kw)
10000	2m/M5	3.4	7.5	5	11	7	13
8000	3m/M6	3.4	5.5	5	7.5	7	11

Tel: Fax: Email: Web: Page

SALES MANUAL FOR HOIST
Single Girder Hoist (Reeving 2:4) 单梁葫芦



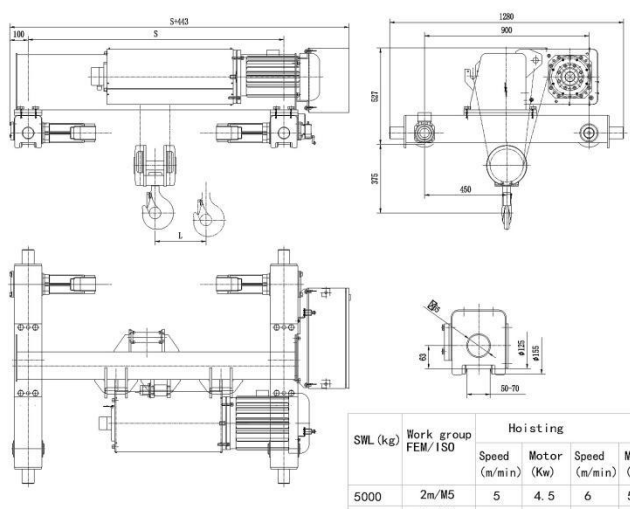
HOL(m)	L(mm)	Weight(Kg)
9	1550	1100
12	1750	1160
15	1950	1217
18	2157	1280

More details about lifting height, lifting speed and travelling speed, pls contact us.
另有更多起升高度, 起升及运行速度等, 详情请咨询公司

SWL (kg)	Work group FEM/ISO	Hoisting				Travelling (m/min)	
		Speed (m/min)	Motor (Kw)	Speed (m/min)	Motor (Kw)	Speed (m/min)	Motor (Kw)
20000	2m/M5	4	15	7	30	20	2×0.8
16000	2m/M5	4	13	7	22		

Tel: Fax: Email: Web: Page

SALES MANUAL FOR HOIST
Double Girder Hoist (Reeving 1:4) 双梁葫芦 0523



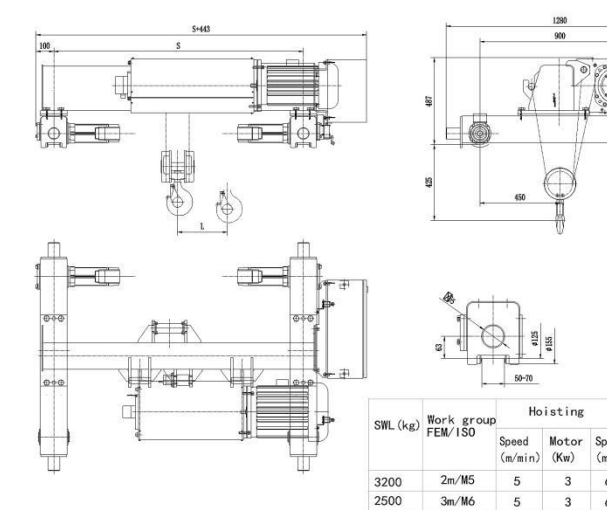
HOL(m)	L(mm)	Min S	Weight(Kg)
6	82	1400	624
9	122	1400	637
12	164	1700	675
15	205	2000	714
18	246	2400	759

More details about lifting height, lifting speed and travelling speed, pls contact us.
另有更多起升高度, 起升及运行速度等, 详情请咨询公司

SWL (kg)	Work group FEM/ISO	Hoisting				Travelling (m/min)			
		Speed (m/min)	Motor (Kw)	Speed (m/min)	Motor (Kw)	Speed (m/min)	Motor (Kw)		
5000	2m/M5	5	4.5	6	5.5	8	7.5	20	2×0.3
4000	3m/M6	5	4.5	6	5.5	8	7.5		
3200	3m/M6	5	4.5	6	4.5	8	5.5	30	2×0.45

Tel: Fax: Email: Web: Page

SALES MANUAL FOR HOIST
Double Girder Hoist (Reeving 1:4) 双梁葫芦 0323



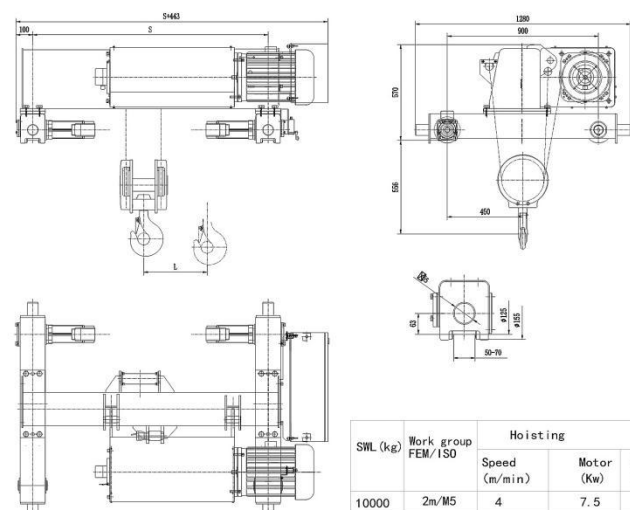
HOL(m)	L(mm)	Min S	Weight(Kg)
6	65	1400	559
9	100	1400	562
12	130	1400	572
15	165	1700	599
18	197	2000	626

More details about lifting height, lifting speed and travelling speed, pls contact us.
另有更多起升高度, 起升及运行速度等, 详情请咨询公司

SWL (kg)	Work group FEM/ISO	Hoisting				Travelling (m/min)			
		Speed (m/min)	Motor (Kw)	Speed (m/min)	Motor (Kw)	Speed (m/min)	Motor (Kw)		
3200	2m/M5	5	3	6	4.5	8	5.5	20	2×0.3
2500	3m/M6	5	3	6	3	8	4.5		
2000	3m/M6	5	2.2	6	2.2	8	3	30	2×0.45

Tel: Fax: Email: Web: Page

SALES MANUAL FOR HOIST
Double Girder Hoist (Reeving 1:4) 双梁葫芦 0827



HOL(m)	L(mm)	Min S	Weight(Kg)
6	89	1400	810
9	133	1400	834
12	178	1700	885
15	222	2000	937
18	267	2400	998

More details about lifting height, lifting speed and travelling speed, pls contact us.
另有更多起升高度, 起升及运行速度等, 详情请咨询公司

SWL (kg)	Work group FEM/ISO	Hoisting				Travelling (m/min)	
		Speed (m/min)	Motor (Kw)	Speed (m/min)	Motor (Kw)	Speed (m/min)	Motor (Kw)
10000	2m/M5	4	7.5	5.3	11	20	2×0.45
8000	2m/M5	4	7.5	5.3	11	30	2×0.65

Tel: Fax: Email: Web: Page

SALES MANUAL FOR HOIST
Double Girder Hoist (Reeving 1:4) 双梁葫芦 1035

HOL(m)	L(mm)	Min S	Weight(Kg)
6	68	1400	844
9	102	1400	867
12	136	1700	919
15	170	2000	947
18	204	2000	999

More details about lifting height, lifting speed and travelling speed, pls contact us.
另有更多起升高度, 起升及运行速度等, 详情请咨询公司

SWL (kg)	Work group FEM/ISO	Hoisting				Travelling (m/min)	
		Speed (m/min)	Motor (Kw)	Speed (m/min)	Motor (Kw)	Speed (m/min)	Motor (Kw)
12500	1Am/M4	5	11	7	15	20	2×0.65
10000	2m/M5	5	11	7	13		
8000	3m/M6	5	11	7	13	30	2×0.65

Tel: Fax: Email: Web: Page

SALES MANUAL FOR HOIST
Double Girder Hoist (Reeving 1:4) 双梁葫芦 1027

HOL(m)	L(mm)	Min S	Weight(Kg)
6	89	1400	810
9	133	1400	834
12	178	1700	885
15	222	2000	937
18	267	2400	998

More details about lifting height, lifting speed and travelling speed, pls contact us.
另有更多起升高度, 起升及运行速度等, 详情请咨询公司

SWL (kg)	Work group FEM/ISO	Hoisting				Travelling (m/min)	
		Speed (m/min)	Motor (Kw)	Speed (m/min)	Motor (Kw)	Speed (m/min)	Motor (Kw)
12500	1Am/M4	4	11	5.3	13	20	2×0.65
10000	2m/M5	4	7.5	5.3	11		
8000	3m/M6	4	7.5	5.3	11	30	2×0.65

Tel: Fax: Email: Web: Page

SALES MANUAL FOR HOIST
Double Girder Hoist (Reeving 1:4) 双梁葫芦 1640

HOL(m)	L(mm)	Min S	Weight(Kg)
6	112	1400	1284
9	152	1400	1338
12	195	1700	1429
15	225	1700	1483
18	251	2000	1573

More details about lifting height, lifting speed and travelling speed, pls contact us.
另有更多起升高度, 起升及运行速度等, 详情请咨询公司

SWL (kg)	Work group FEM/ISO	Hoisting				Travelling (m/min)	
		Speed (m/min)	Motor (Kw)	Speed (m/min)	Motor (Kw)	Speed (m/min)	Motor (Kw)
20000	2m/M5	4.2	15	5.7	22	20	2×1.1
16000	2m/M5	4.2	13	5.7	18.5	20	2×0.65
12500	3m/M6	4.2	13	5.7	15	30	2×1.1

Tel: Fax: Email: Web: Page

SALES MANUAL FOR HOIST
Double Girder Hoist (Reeving 1:4) 双梁葫芦 (外制动) 2035A

HOL(m)	L(mm)	Min S	Weight(Kg)
6	72	1400	1317
9	108	1700	1402
12	145	2000	1457
15	180	2400	1562
18	216	2700	1659

More details about lifting height, lifting speed and travelling speed, pls contact us.
另有更多起升高度, 起升及运行速度等, 详情请咨询公司

SWL (kg)	Work group FEM/ISO	Hoisting				Travelling (m/min)	
		Speed (m/min)	Motor (Kw)	Speed (m/min)	Motor (Kw)	Speed (m/min)	Motor (Kw)
20000	2m/M5	3.6	13	5	18.5	20	2×1.1
16000	3m/M6	3.6	11	5	15	30	2×1.1
12500	3m/M6	3.6	11	5	13		

Tel: Fax: Email: Web: Page

SALES MANUAL FOR HOIST
Double Girder Hoist (Reeving 1:4) 双梁葫芦 0827/0323 1027/0323

HOL(m)	L(mm)	Min S	Weight(Kg)
6	89	1400	1010
9	133	1400	1034
12	178	1700	1085
15	222	2000	1137
18	267	2400	1198

More details about lifting height, lifting speed and travelling speed, pls contact us.
另有更多起升高度, 起升及运行速度等, 详情请咨询公司

SWL (kg)	FEM/ISO Work group	Hoisting				Travelling (m/min)			
		Speed (m/min)	Motor (Kw)	Speed (m/min)	Motor (Kw)	Speed (m/min)	Motor (Kw)	Speed (m/min)	Motor (Kw)
12500	1Am/M4	4	11	5.6	13			20	2×1.5
10000	2m/M5	4	7.5	5.6	11				
8000	3m/M6	4	7.5	5.6	11			30	2×2.2
3200 (副)	2m/M5	5	3	6.3	4.5	7.5	4.5		

Tel: Fax: Email: Web: Page

SALES MANUAL FOR HOIST
Double Girder Hoist (Reeving 1:6) 双梁葫芦 1640-6/1

HOL(m)	L(mm)	Min S	Weight(Kg)
6	87	1400	1099
9	87	1700	1178
12	117	2000	1256
15	147	2400	1345
18	176	2700	1423

More details about lifting height, lifting speed and travelling speed, pls contact us.
另有更多起升高度, 起升及运行速度等, 详情请咨询公司

SWL (kg)	Work group FEM/ISO	Hoisting				Travelling (m/min)			
		Speed (m/min)	Motor (Kw)	Speed (m/min)	Motor (Kw)	Speed (m/min)	Motor (Kw)	Speed (m/min)	Motor (Kw)
16000	2m/M5	4	11	5	15			20	2×0.65
12500	3m/M6	4	11	5	13			30	2×1.1
10000	3m/M6	4	7.5	5	13				

Tel: Fax: Email: Web: Page

SALES MANUAL FOR HOIST
Double Girder Hoist (Reeving 1:4) 双梁葫芦 2035/0523

HOL(m)	L(mm)	Min S	Weight(Kg)
6	60	1400	1622
9	87	1700	1732
12	117	2000	1859
15	147	2400	2004
18	176	2700	2116

More details about lifting height, lifting speed and travelling speed, pls contact us.
另有更多起升高度, 起升及运行速度等, 详情请咨询公司

SWL (kg)	FEM/ISO Work group	Hoisting				Travelling (m/min)			
		Speed (m/min)	Motor (Kw)	Speed (m/min)	Motor (Kw)	Speed (m/min)	Motor (Kw)	Speed (m/min)	Motor (Kw)
20000	2m/M5	3.6	13	5	18.5			20	2×1.5
16000	3m/M6	3.6	11	5	15				
5000 (副)	2m/M5	5	4.5	6.3	5.5	7.5	7.5	30	2×2.2

Tel: Fax: Email: Web: Page

SALES MANUAL FOR HOIST
Double Girder Hoist (Reeving 2:4) 双梁葫芦 0523

HOL(m)	Min S	Weight(Kg)
6	1400	560
9	1400	637
12	1400	675
15	1700	714
18	2000	759

More details about lifting height, lifting speed and travelling speed, pls contact us.
另有更多起升高度, 起升及运行速度等, 详情请咨询公司

SWL (kg)	Work group FEM/ISO	Hoisting				Travelling (m/min)			
		Speed (m/min)	Motor (Kw)	Speed (m/min)	Motor (Kw)	Speed (m/min)	Motor (Kw)	Speed (m/min)	Motor (Kw)
5000	2m/M5	6	5.5	8	7.5			20	2×0.3
4000	3m/M6	6	5.5	8	7.5				
3200	3m/M6	6	4.5	8	5.5			30	2×0.45

Tel: Fax: Email: Web: Page

SALES MANUAL FOR HOIST
Double Girder Hoist (Reeving 2:4) 双梁葫芦 1024

HOL(m)	Min S	Weight(Kg)
6	1400	663
9	1400	687
12	1700	76
15	2000	785

More details about lifting height, lifting speed and travelling speed, pls contact us.
另有更多起升高度, 起升及运行速度等, 详情请咨询公司

SWL (kg)	FEM/ISO Work group	Hoisting				Travelling (m/min)	
		Speed (m/min)	Motor (Kw)	Speed (m/min)	Motor (Kw)	Speed (m/min)	Motor (Kw)
10000	2m/M5	5	11	7	13	20	2×0.65
	3m/M6	5	11	7	13	30	2×0.65

Tel: Fax: Email: Web: Page

SALES MANUAL FOR HOIST
Double Girder Hoist (Reeving 2:12) 双梁葫芦 (外制动) 3240A

HOL(m)	Min S	Weight(Kg)
6	2000	1972
9	2000	2057
12	2400	2201
15	2700	2269
18	3100	2473

More details about lifting height, lifting speed and travelling speed, pls contact us.
另有更多起升高度, 起升及运行速度等, 详情请咨询公司

SWL (kg)	FEM/ISO Work group	Hoisting				Travelling (m/min)	
		Speed (m/min)	Motor (Kw)	Speed (m/min)	Motor (Kw)	Speed (m/min)	Motor (Kw)
32000	2m/M5	2.8	18.5	4	22	20	2×1.1
	3m/M6	2.8	13	4	18.5	30	2×1.5

Tel: Fax: Email: Web: Page

SALES MANUAL FOR HOIST
Double Girder Hoist (Reeving 2:12) 双梁葫芦 3240

HOL(m)	Min S	Weight(Kg)
6	2000	1972
9	2000	2057
12	2400	2201
15	2700	2269
18	3100	2473

More details about lifting height, lifting speed and travelling speed, pls contact us.
另有更多起升高度, 起升及运行速度等, 详情请咨询公司

SWL (kg)	FEM/ISO Work group	Hoisting				Travelling (m/min)	
		Speed (m/min)	Motor (Kw)	Speed (m/min)	Motor (Kw)	Speed (m/min)	Motor (Kw)
32000	2m/M5	2.8	18.5	4	22	20	2×1.1
	3m/M6	2.8	13	4	18.5	30	2×1.5

Tel: Fax: Email: Web: Page

SALES MANUAL FOR HOIST
Double Girder Hoist (Reeving 2:8) 双梁葫芦 (外制动) 4051A

HOL(m)	Min S	Weight(Kg)
6	2000	3258
9	2000	3258
12	2000	3327
15	2400	3494
18	2700	3642

More details about lifting height, lifting speed and travelling speed, pls contact us.
另有更多起升高度, 起升及运行速度等, 详情请咨询公司

SWL (kg)	FEM/ISO Work group	Hoisting				Travelling (m/min)	
		Speed (m/min)	Motor (Kw)	Speed (m/min)	Motor (Kw)	Speed (m/min)	Motor (Kw)
40000	2m/M5	4.5	37	6	45	7.1	55
	3m/M6	4.5	30	6	37	7.1	45
25000	3m/M6	4.5	22	6	30	7.1	37

Tel: Fax: Email: Web: Page

SALES MANUAL FOR HOIST
Double Girder Hoist (Reeving 2:8) 双梁葫芦 4051

HOL(m)	Min S	Weight(Kg)
6	2000	3258
9	2000	3258
12	2000	3327
15	2400	3494
18	2700	3642

More details about lifting height, lifting speed and travelling speed, pls contact us.
另有更多起升高度, 起升及运行速度等, 详情请咨询公司

SWL (kg)	FEM/ISO Work group	Hoisting						Travelling (m/min)	
		Speed (m/min)	Motor (Kw)	Speed (m/min)	Motor (Kw)	Speed (m/min)	Motor (Kw)	Speed (m/min)	Motor (Kw)
40000	1m/M4	4	30	5	37	6	45	20	2×1.5
32000	2m/M5	4	30	5	30	6	37	30	2×2.2

Tel: Fax: Email: Web: Page

SALES MANUAL FOR HOIST
Double Girder Hoist (Reeving 2:12) 双梁葫芦 3240/0523/0827/1027/1035

HOL(m)	Min S	Weight(Kg)
6	2000	2593
9	2000	2689
12	2400	2904
15	2700	3085
18	3100	3290

More details about lifting height, lifting speed and travelling speed, pls contact us.
另有更多起升高度, 起升及运行速度等, 详情请咨询公司

SWL (kg)	FEM/ISO Work group	Hoisting						Travelling (m/min)	
		Speed (m/min)	Motor (Kw)	Speed (m/min)	Motor (Kw)	Speed (m/min)	Motor (Kw)	Speed (m/min)	Motor (Kw)
32000	2m/M5	2.8	18.5	4	22			20	2×1.1
25000	3m/M6	2.8	13	4	18.5				
5000 (副)	2m/M5	5	4.5	6.3	5.5	7.5	7.5	30	2×1.5
10000 (副)	2m/M5	4	7.5	5.6	11	7	13		

Tel: Fax: Email: Web: Page

SALES MANUAL FOR HOIST
Double Girder Hoist (Reeving 2:8) 双梁葫芦 4051/0523/0827/1027/1035/2035/1640

HOL(m)	Min S	Weight(Kg)
6	2000	3918
9	2000	3941
12	2000	4070
15	2400	4265
18	2700	4466

More details about lifting height, lifting speed and travelling speed, pls contact us.
另有更多起升高度, 起升及运行速度等, 详情请咨询公司

SWL (kg)	FEM/ISO Work group	Hoisting						Travelling (m/min)	
		Speed (m/min)	Motor (Kw)	Speed (m/min)	Motor (Kw)	Speed (m/min)	Motor (Kw)	Speed (m/min)	Motor (Kw)
40000	2m/M5	4.5	37	6	45	7.1	55		
32000	3m/M6	4.5	30	6	37	7.1	45	20	2×1.5
25000	3m/M6	4.5	22	6	30	7.1	37		
5000 (副)	2m/M5	5	4.5	6.3	5.5	7.5	7.5	30	2×2.2
10000 (副)	2m/M5	4	7.5	5.6	11	7	13		
16000 (副)	2m/M5	4	11	5	15	5.7	18.5		
20000 (副)	2m/M5	4	13	5	18.5	5.7	22		

Tel: Fax: Email: Web: Page

SALES MANUAL FOR HOIST
Double Girder Hoist (Reeving 2:12) 双梁葫芦 5051

HOL(m)	Min S	Weight(Kg)
6	2000	3440
9	2400	3634
12	2700	3839
15	3100	4065
18	3400	4280

More details about lifting height, lifting speed and travelling speed, pls contact us.
另有更多起升高度, 起升及运行速度等, 详情请咨询公司

SWL (kg)	FEM/ISO Work group	Hoisting						Travelling (m/min)	
		Speed (m/min)	Motor (Kw)	Speed (m/min)	Motor (Kw)	Speed (m/min)	Motor (Kw)	Speed (m/min)	Motor (Kw)
50000	2m/M5	3	30	4	37	4.8	45	20	2×1.5
40000	3m/M6	3	22	4	30	4.8	37	30	2×2.2

Tel: Fax: Email: Web: Page

SALES MANUAL FOR HOIST
Double Girder Hoist (Reeving 2:12) 双梁葫芦 (外制动) 5051A

HOL(m)	Min S	Weight(Kg)
6	2000	3440
9	2400	3634
12	2700	3839
15	3100	4065
18	3400	4280

More details about lifting height, lifting speed and travelling speed, pls contact us.
另有更多起升高度, 起升及运行速度等, 详情请咨询公司

SWL (kg)	FEM/ISO Work group	Hoisting						Travelling (m/min)	
		Speed (m/min)	Motor (Kw)	Speed (m/min)	Motor (Kw)	Speed (m/min)	Motor (Kw)	Speed (m/min)	Motor (Kw)
50000	2m/M5	3	30	4	37	4.8	45	20	2×1.5
40000	3m/M6	3	22	4	30	4.8	37	30	2×2.2

Tel: Fax: Email: Web: Page

SALES MANUAL FOR HOIST
Double Girder Hoist (Reeving 2:16) 双梁葫芦 7561

HOL(m)	Min S	Weight(Kg)
9	2700	5286
12	3100	5571
15	3100	5681
18	3400	5916

More details about lifting height, lifting speed and travelling speed, pls contact us.
另有更多起升高度, 起升及运行速度等, 详情请咨询公司

SWL (kg)	FEM/ISO Work group	Hoisting						Travelling (m/min)	
		Speed (m/min)	Motor (Kw)	Speed (m/min)	Motor (Kw)	Speed (m/min)	Motor (Kw)	Speed (m/min)	Motor (Kw)
75000	2m/M5	2.1	30	2.6	37	3.1	45	20	2×2.2
								30	2×3

Tel: Fax: Email: Web: Page

SALES MANUAL FOR HOIST
Double Girder Hoist (Reeving 2:12) 双梁葫芦 5051/0523/0827/1027/1035/2035/1640

HOL(m)	Min S	Weight(Kg)
6	2000	4104
9	2400	4357
12	2700	4611
15	3100	4897
18	3400	5173

More details about lifting height, lifting speed and travelling speed, pls contact us.
另有更多起升高度, 起升及运行速度等, 详情请咨询公司

SWL (kg)	FEM/ISO Work group	Hoisting						Travelling (m/min)	
		Speed (m/min)	Motor (Kw)	Speed (m/min)	Motor (Kw)	Speed (m/min)	Motor (Kw)	Speed (m/min)	Motor (Kw)
50000	2m/M5	3	30	4	37	4.8	45	20	2×1.5
40000	3m/M6	4.5	37	6	45	7.1	55		
5000 (副)	2m/M5	5	4.5	6.3	5.5	7.5	7.5	30	2×2.2
10000 (副)	2m/M5	4	7.5	5.6	11	7	13		
16000 (副)	2m/M5	4	11	5	15	5.7	18.5		
20000 (副)	2m/M5	4	13	5	18.5	5.7	22		

Tel: Fax: Email: Web: Page

SALES MANUAL FOR HOIST
Double Girder Hoist (Reeving 2:16) 双梁葫芦 (外制动) 7561A

HOL(m)	Min S	Weight(Kg)
9	2700	5356
12	3100	5641
15	3100	5751
18	3400	5986

More details about lifting height, lifting speed and travelling speed, pls contact us.
另有更多起升高度, 起升及运行速度等, 详情请咨询公司

SWL (kg)	FEM/ISO Work group	Hoisting						Travelling (m/min)	
		Speed (m/min)	Motor (Kw)	Speed (m/min)	Motor (Kw)	Speed (m/min)	Motor (Kw)	Speed (m/min)	Motor (Kw)
75000	2m/M5	2.1	30	2.6	37	3.1	45	20	2×2.2
								30	2×3

Tel: Fax: Email: Web: Page

SALES MANUAL FOR HOIST

Double Girder Hoist (Reeving 2:16) 双梁葫芦 10073/3240/1640

HOL(m)	Min S	Weight(Kg)
12	3100	10671
15	3100	10729
18	3400	11108

SWL (kg)	FEM/ISO Work group	Hoisting				Travelling(m/min)			
		Speed (m/min)	Motor (Kw)	Speed (m/min)	Motor (Kw)	Speed (m/min)	Motor (Kw)	Speed (m/min)	Motor (Kw)
100000	2m/M5	2	37	2.5	45	3	55	20	2×3
32000 (副)	2m/M5	2.8	18.5	4	22	5.5	37	30	2×5.5
20000 (副)	2m/M5	4.2	15	5.7	22				

Tel: Fax: Email: Web: Page

SALES MANUAL FOR HOIST

Double Girder Hoist (Reeving 2:16) 双梁葫芦 (外制动) 10073A/3240/1640

HOL(m)	Min S	Weight(Kg)
12	3100	10671
15	3100	10729
18	3400	11108

SWL (kg)	FEM/ISO Work group	Hoisting				Travelling(m/min)			
		Speed (m/min)	Motor (Kw)	Speed (m/min)	Motor (Kw)	Speed (m/min)	Motor (Kw)	Speed (m/min)	Motor (Kw)
100000	2m/M5	2	37	2.5	45	3	55	20	2×3
32000 (副)	2m/M5	2.8	18.5	4	22	5.5	37	30	2×5.5
20000 (副)	2m/M5	4.2	15	5.7	22				

Tel: Fax: Email: Web: Page